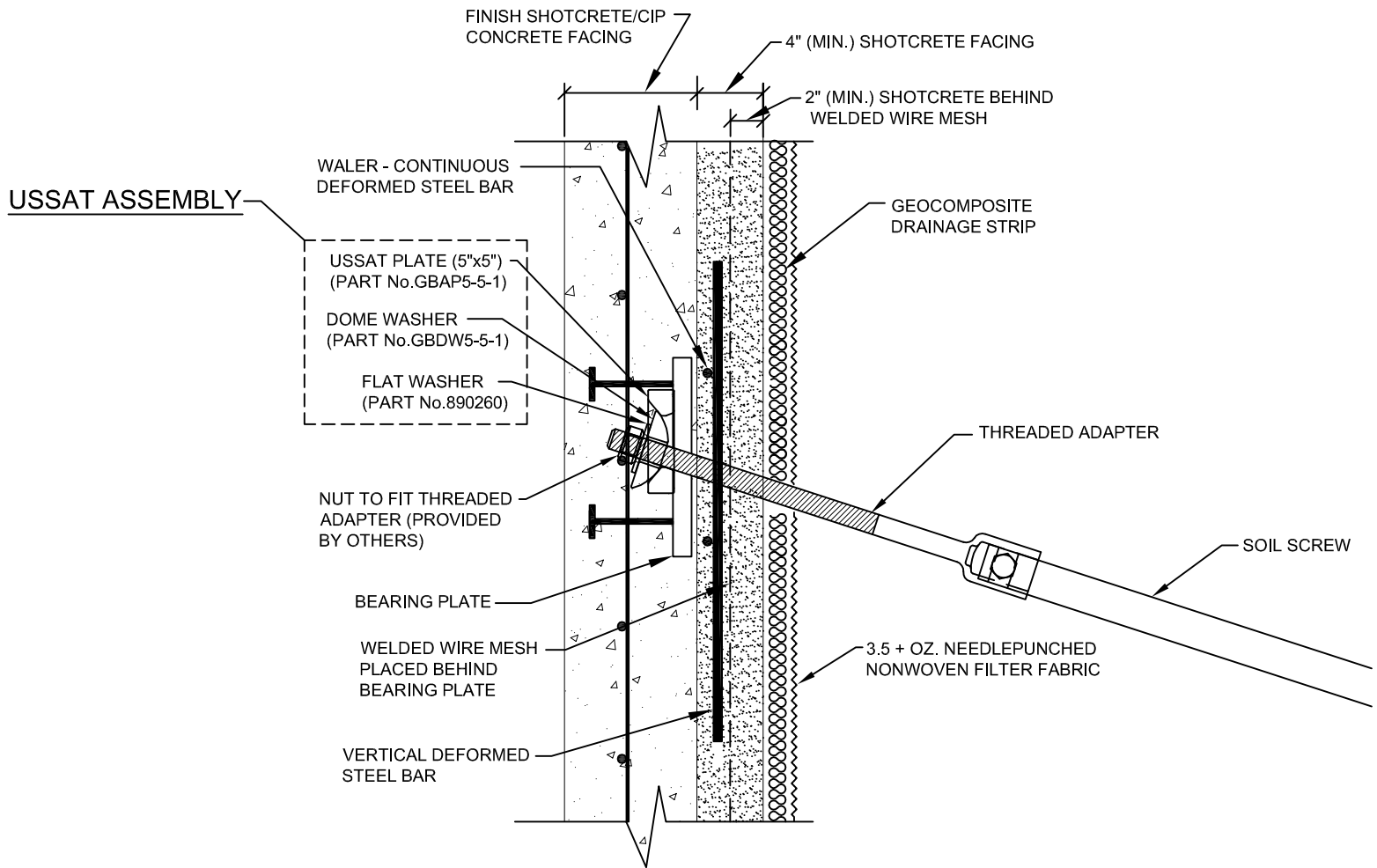


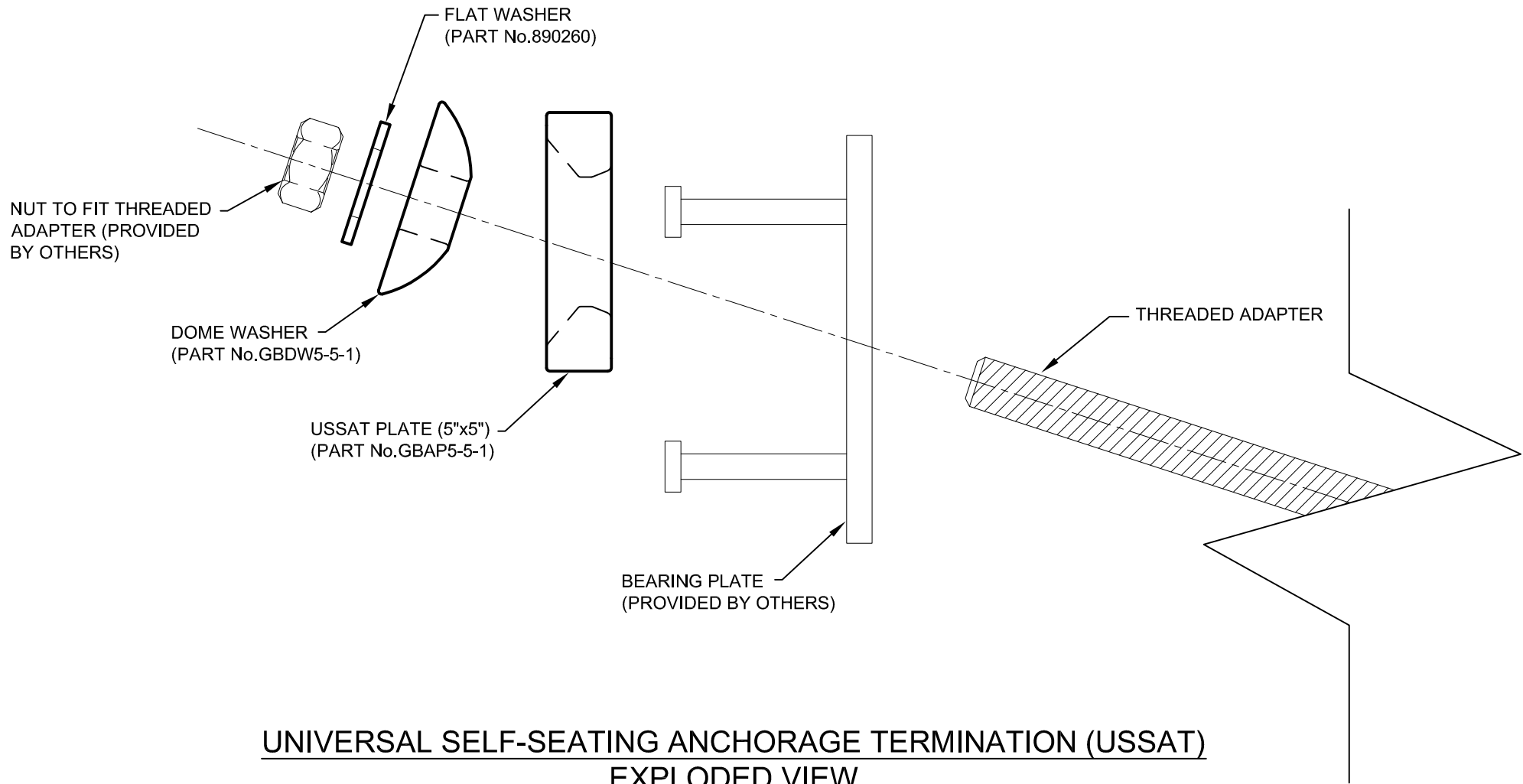
TYPICAL SOIL SCREW CROSS SECTION
SHOTCRETE FACING

NOT TO SCALE



PERMANENT ANCHOR HEAD DETAIL

NOT TO SCALE



UNIVERSAL SELF-SEATING ANCHORAGE TERMINATION (USSAT)
EXPLODED VIEW

NOT TO SCALE