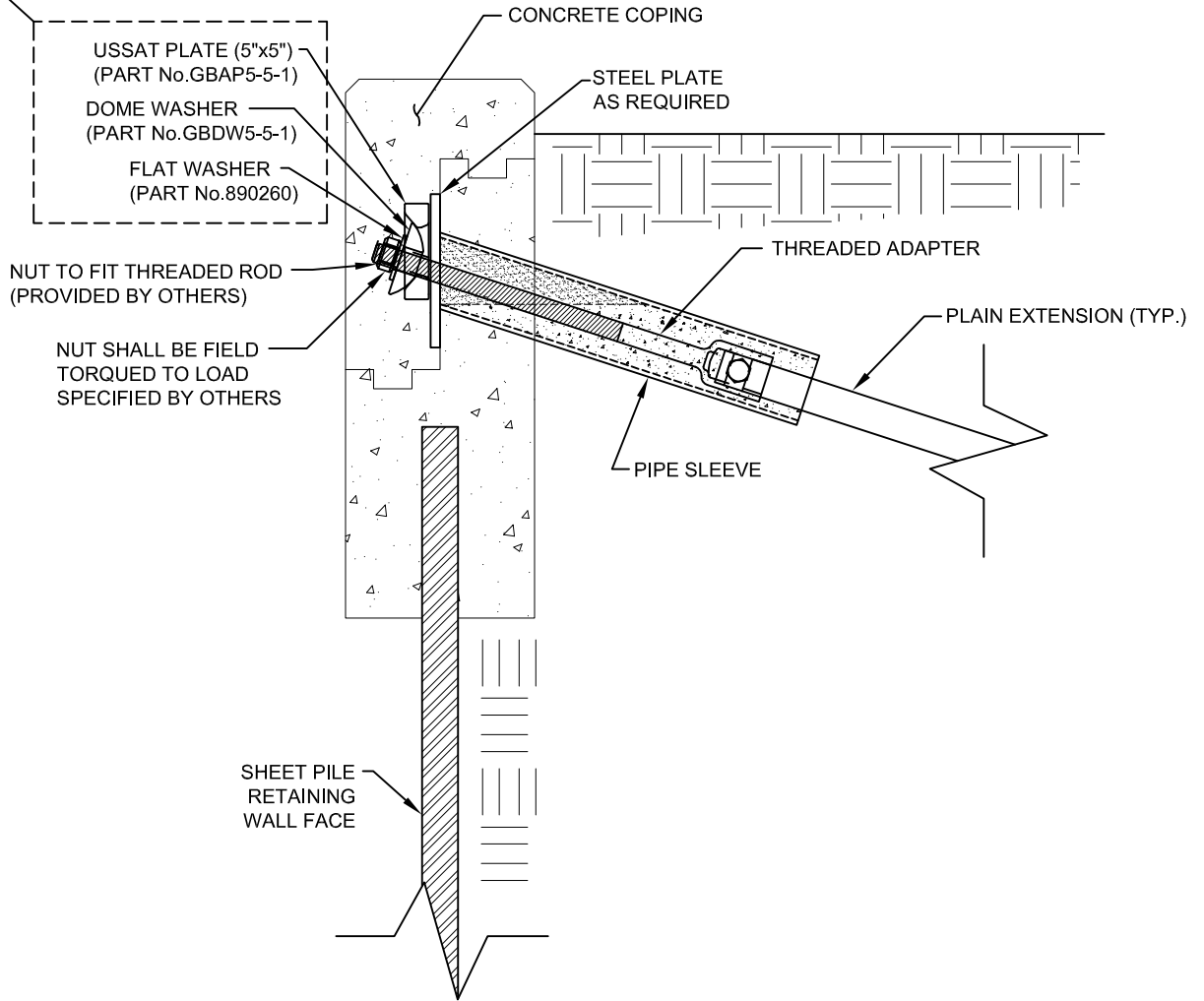


**TYPICAL HELICAL ANCHOR CROSS-SECTION
SHEET PILE RETAINING WALL**

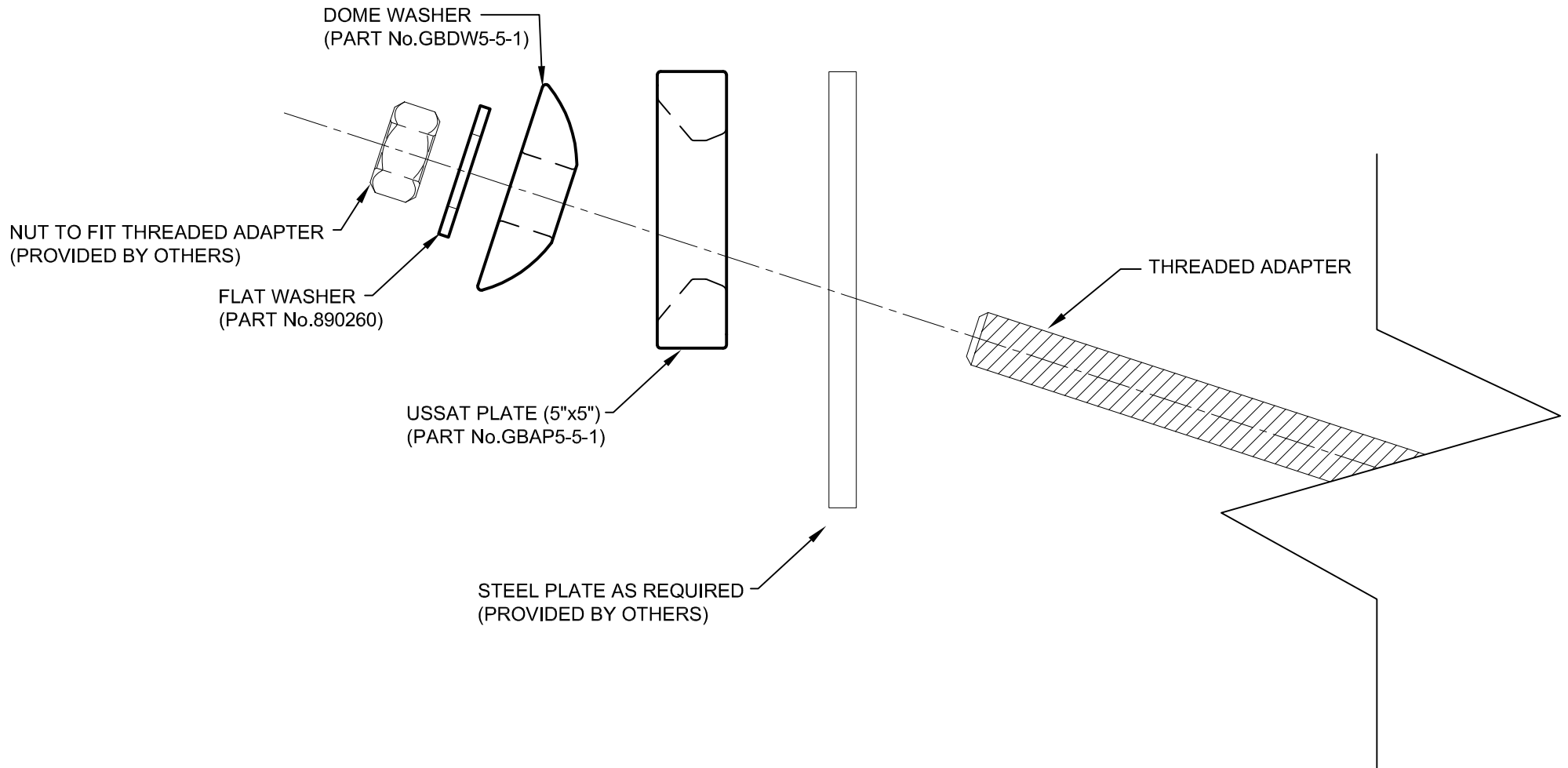
NOT TO SCALE

USSAT ASSEMBLY



ANCHOR HEAD CONNECTION DETAIL
HELICAL TIEBACK ANCHOR

NOT TO SCALE



UNIVERSAL SELF-SEATING ANCHORAGE TERMINATION (USSAT)
EXPLODED VIEW
NOT TO SCALE