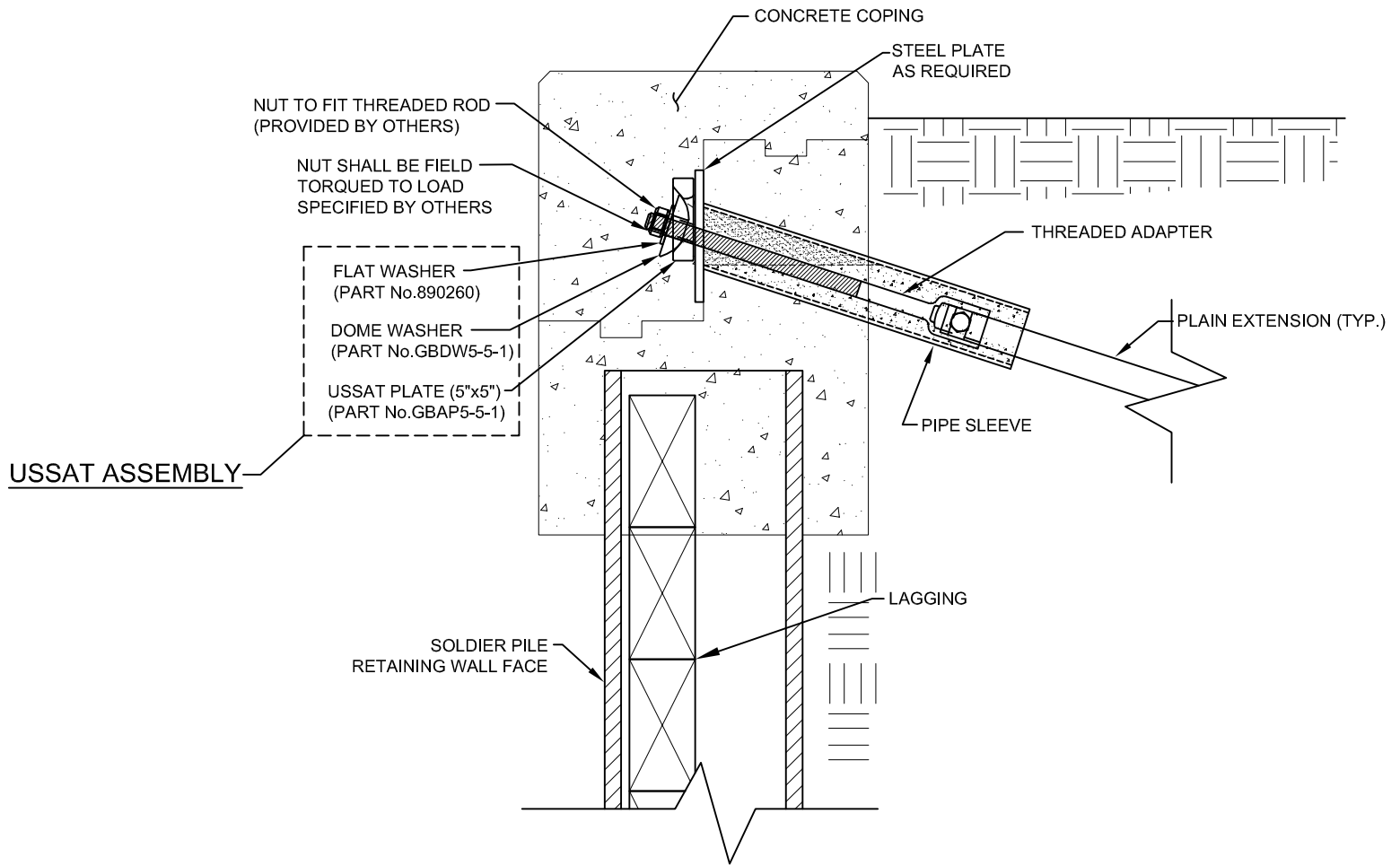
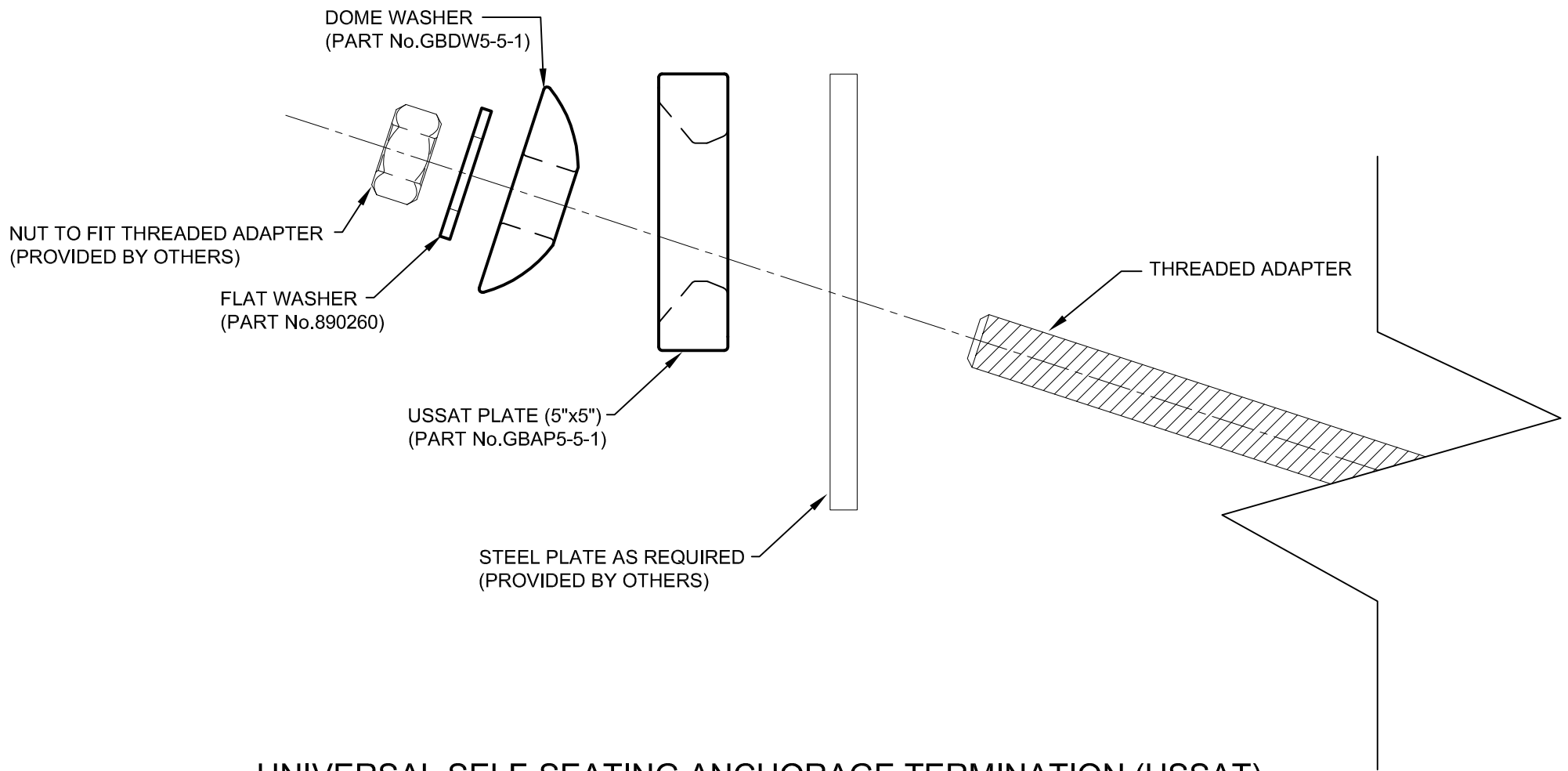


TYPICAL HELICAL TIEBACK ANCHOR CROSS-SECTION
SOLDIER PILE RETAINING WALL
 NOT TO SCALE



ANCHOR HEAD CONNECTION DETAIL
HELICAL TIEBACK ANCHOR

NOT TO SCALE



UNIVERSAL SELF-SEATING ANCHORAGE TERMINATION (USSAT)

EXPLODED VIEW

NOT TO SCALE