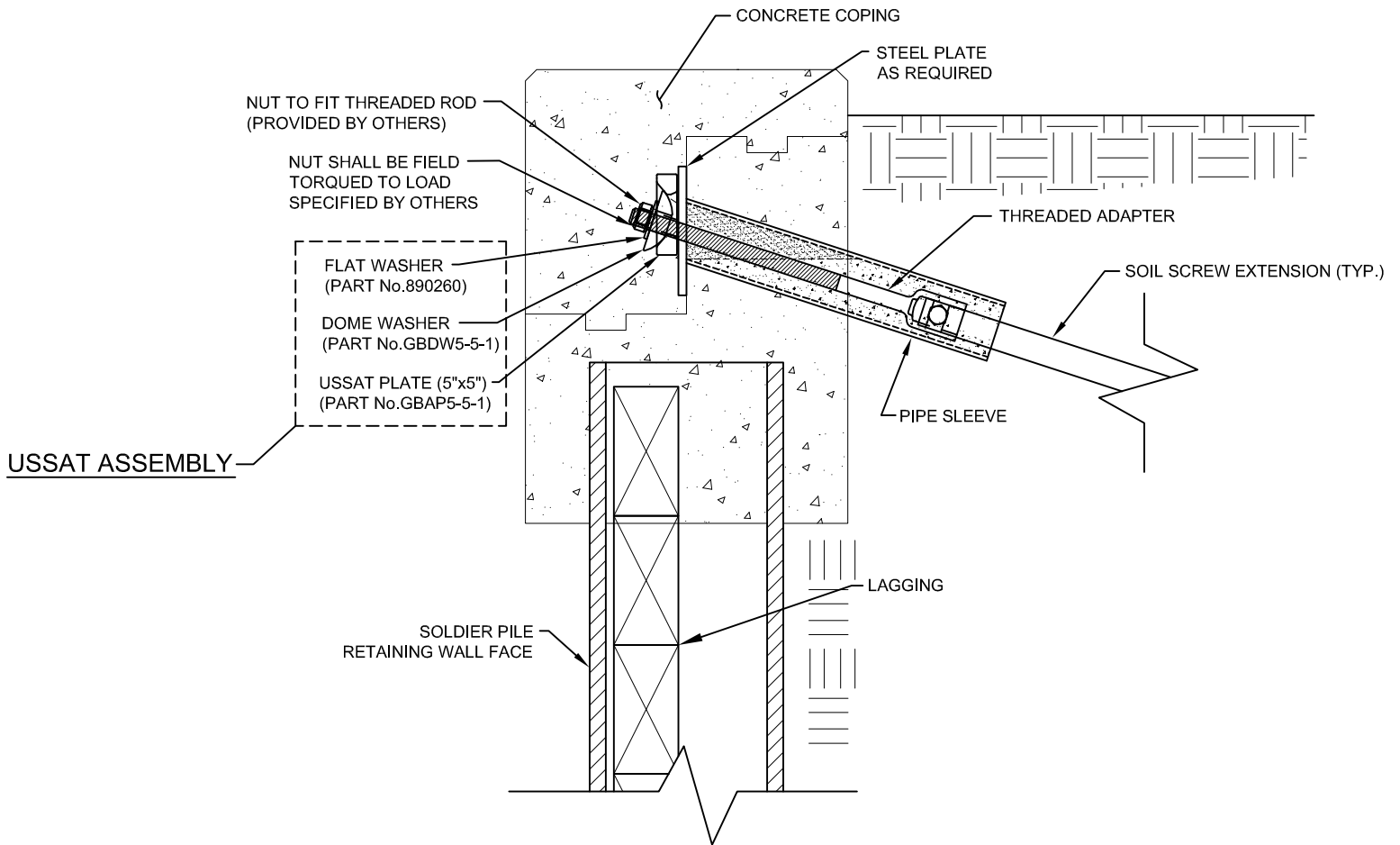
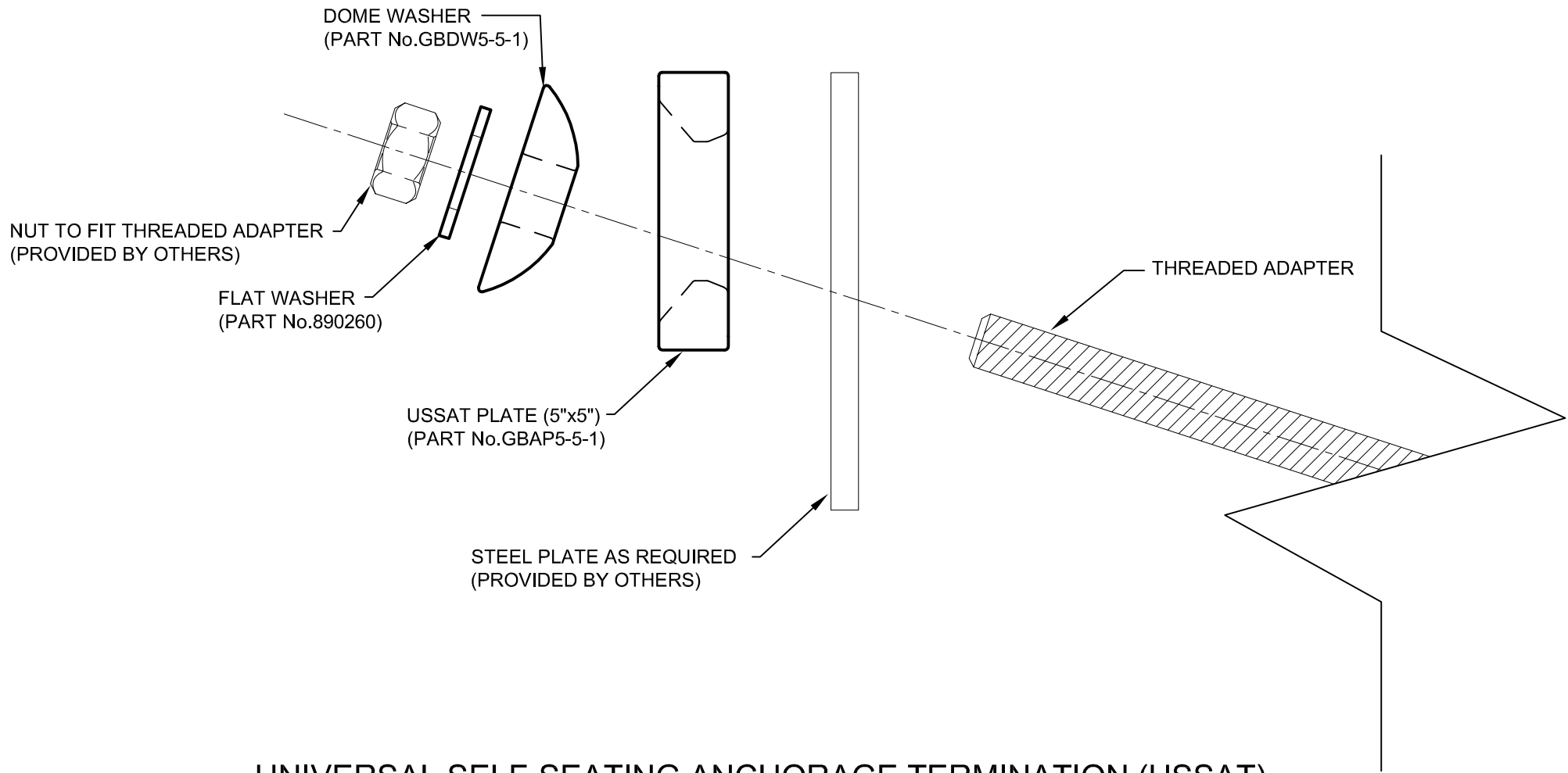


**TYPICAL SOIL SCREW CROSS-SECTION  
SOLDIER PILE RETAINING WALL**

NOT TO SCALE



**ANCHOR HEAD CONNECTION DETAIL**  
**SOIL SCREW**  
 NOT TO SCALE



UNIVERSAL SELF-SEATING ANCHORAGE TERMINATION (USSAT)  
EXPLODED VIEW  
NOT TO SCALE