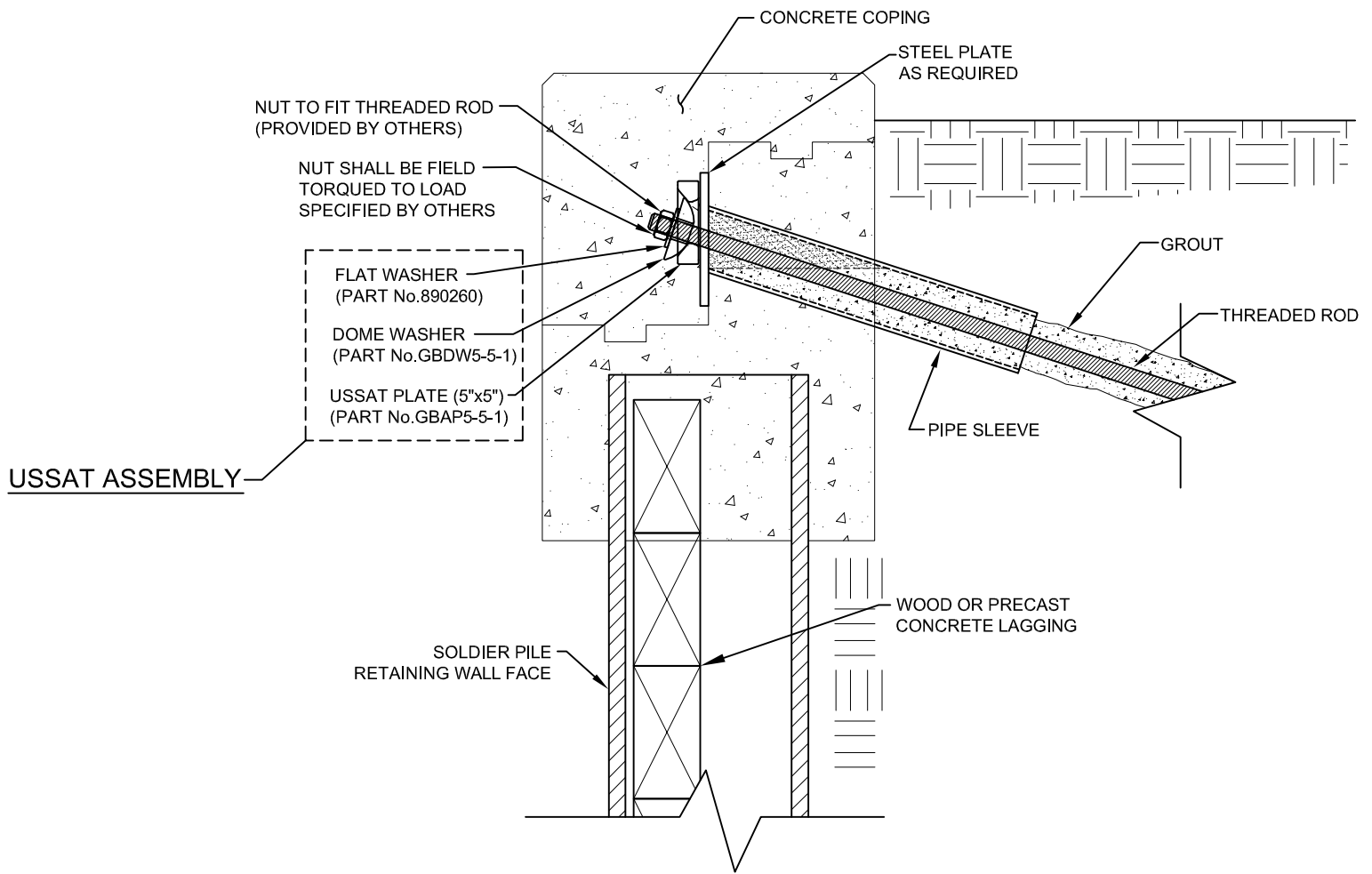


**TYPICAL THREADED ROD / SOIL NAIL CROSS-SECTION  
SOLDIER PILE RETAINING WALL**

NOT TO SCALE



**ANCHOR HEAD CONNECTION DETAIL**  
**THREADED ROD**  
 NOT TO SCALE

