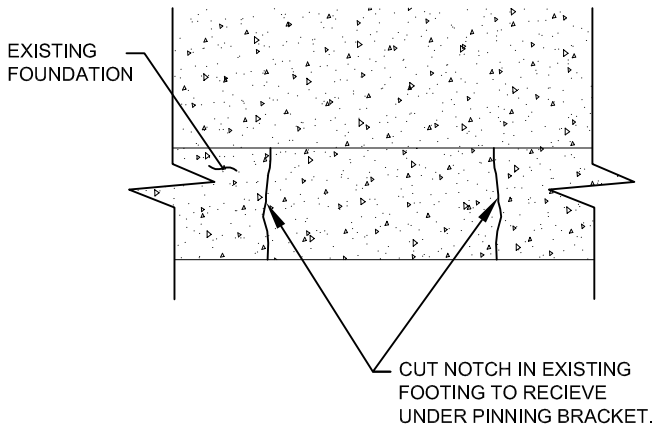
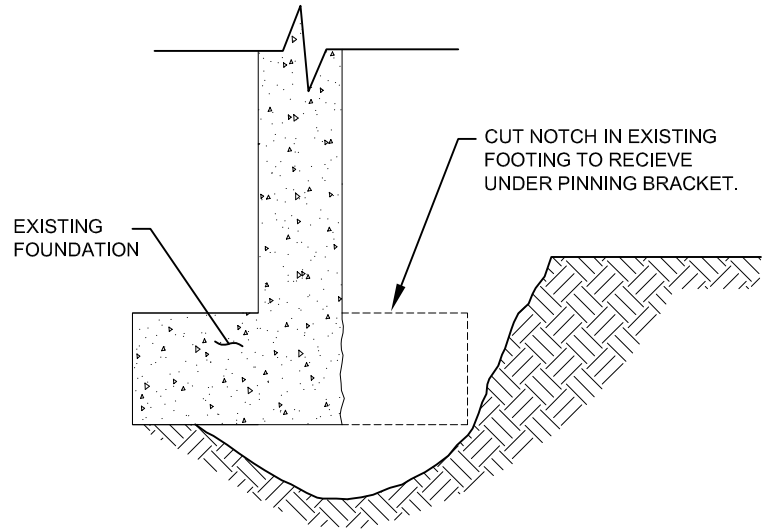


TOP VIEW



ELEVATION VIEW

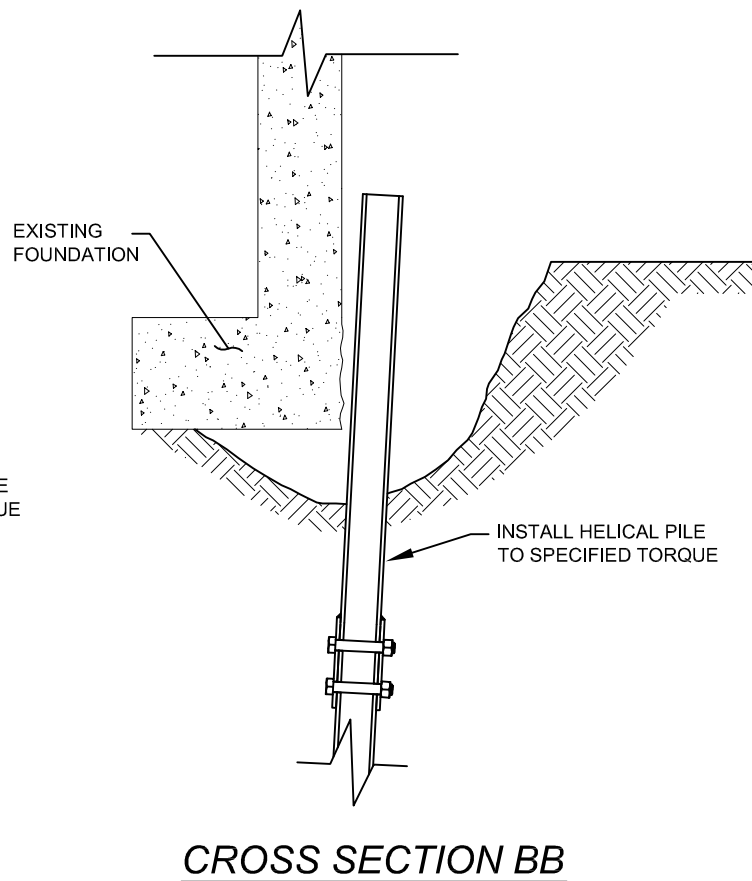
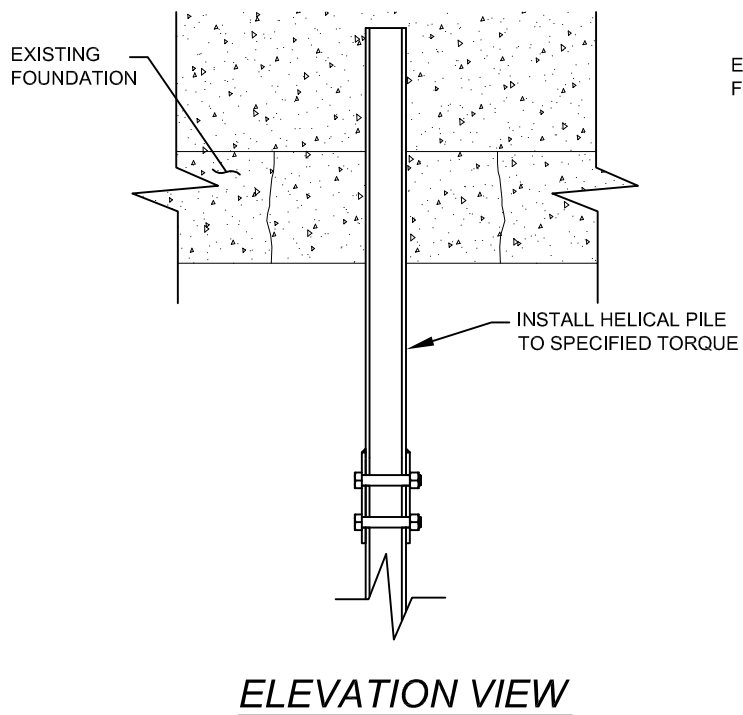
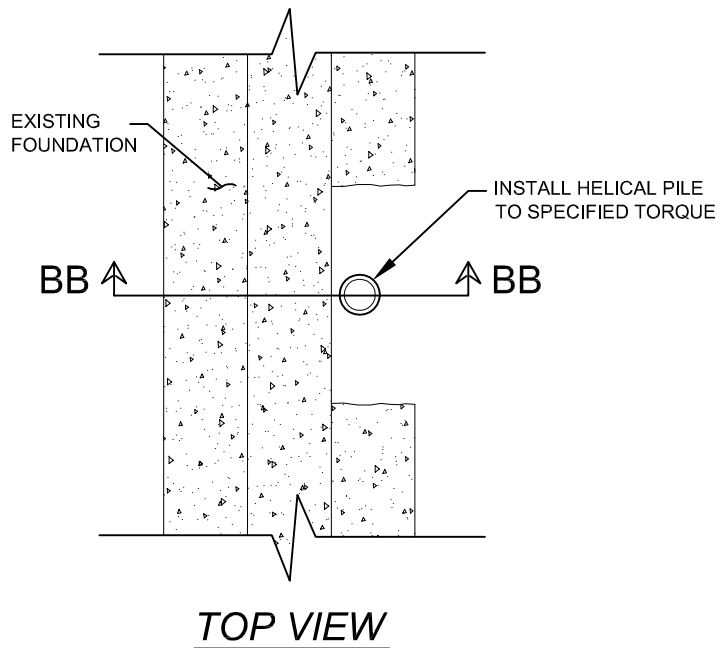


CROSS SECTION AA

# STEP ONE

UNDER PINNING BRACKET FOR  
REMEDIAL CONSTRUCTION

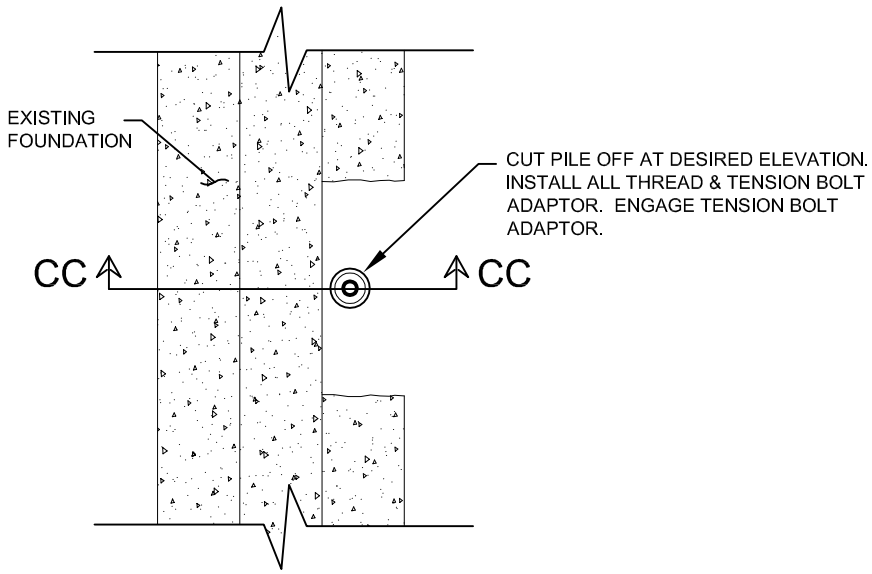
NOT TO SCALE



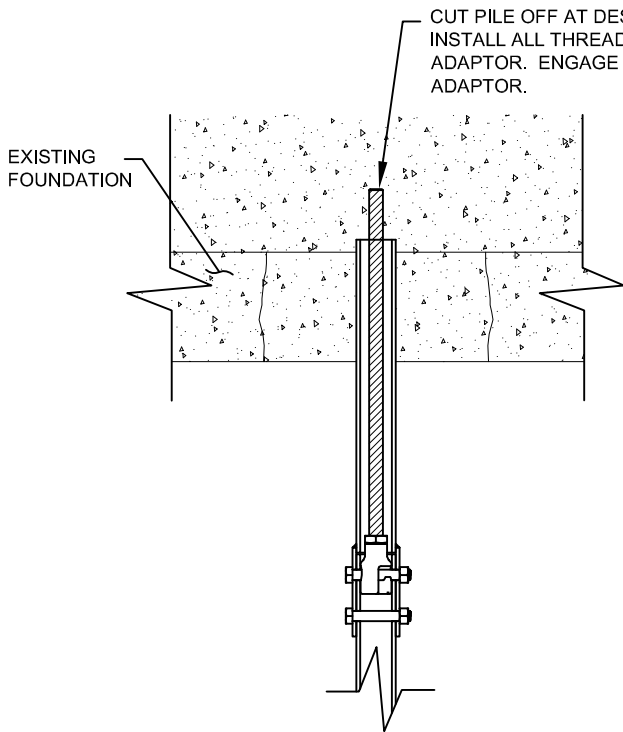
# STEP TWO

UNDER PINNING BRACKET FOR  
REMEDIAL CONSTRUCTION

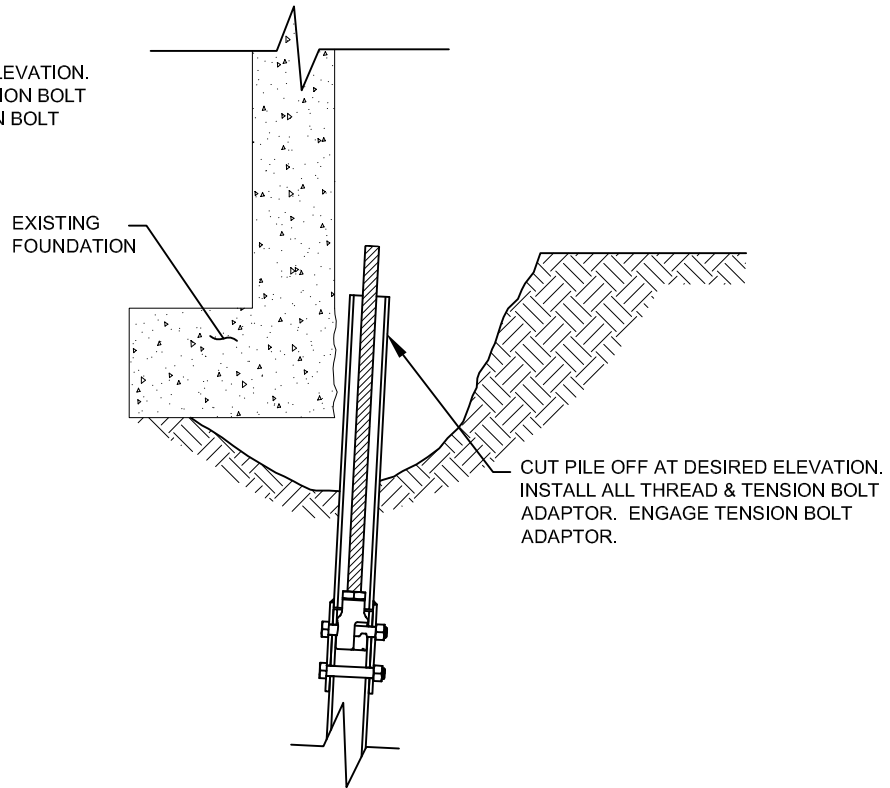
NOT TO SCALE



TOP VIEW



ELEVATION VIEW

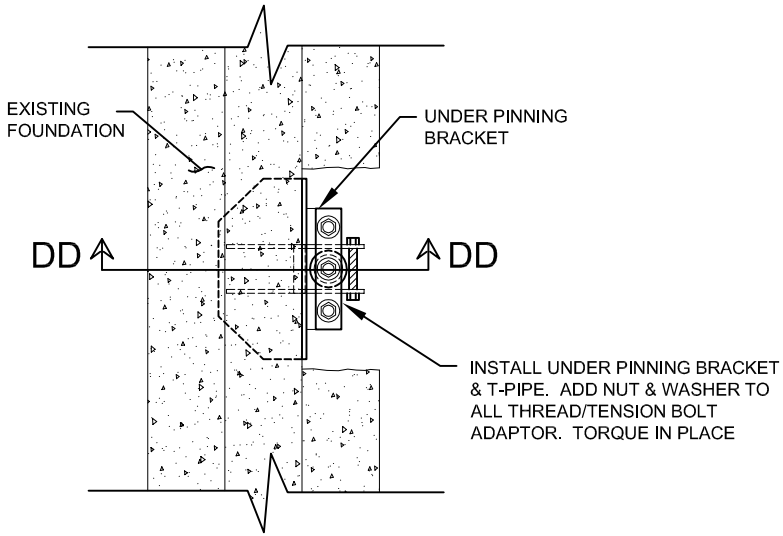


CROSS SECTION CC

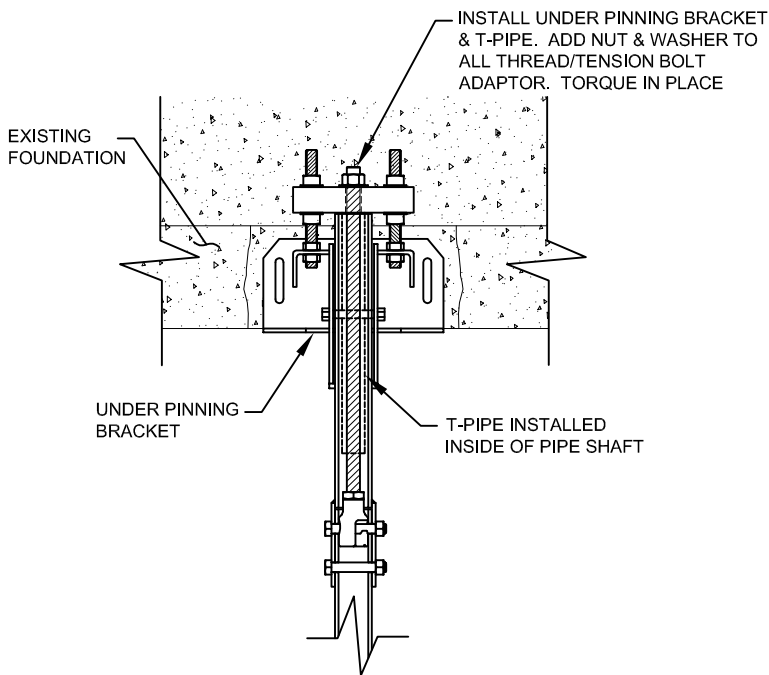
# STEP THREE

UNDER PINNING BRACKET FOR  
REMEDIAL CONSTRUCTION

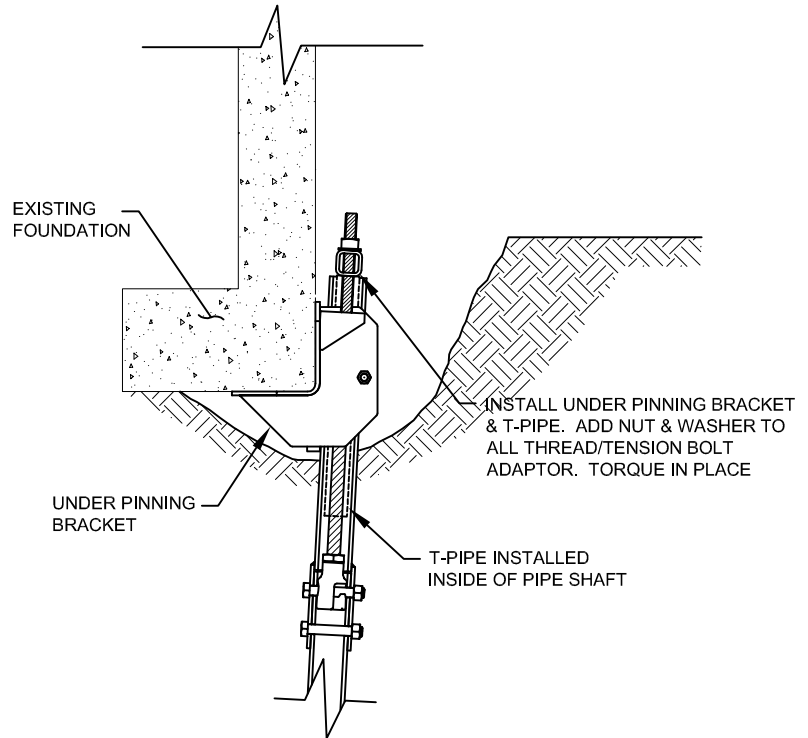
NOT TO SCALE



TOP VIEW



ELEVATION VIEW



CROSS SECTION DD

# STEP FOUR

## UNDER PINNING BRACKET FOR REMEDIAL CONSTRUCTION

NOT TO SCALE